

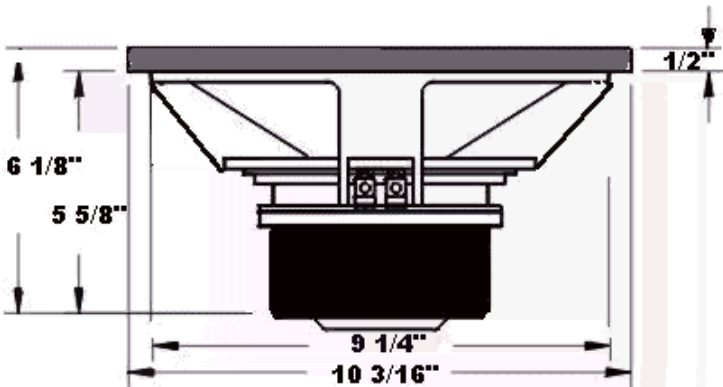
SV10 Subwoofer

Setting a new standard for a 10" ultra-long throw subwoofer!

[Click on image for full view](#)



Thiele Small Parameters*			
Nominal Impedance	Z _{nom}	ohms	4
DC Resistance	DCR	ohms	2.72
Sensitivity	@2.83V	dB	87.72
Resonant Frequency	F _s	Hz	18.5
Mechanical Q	Q _{ms}		4.205
Electrical Q	Q _{es}		.394
Total Q	Q _{ts}		.360
Power Handling	RMS	Watts	250
Effective Piston Area	S _d	meters ²	.031
VAS	V _{as}	Liters	84
Moving Mass	M _{ms}	grams	111.28
Suspension Compliance	C _{ms}	μ m/N	656.1063
Xmax	linear	mm	16
Motor Strength	BL	TM	9.4801
Magnet and Voice Coil Parameters			
Voice Coil Diameter	d	inches	2
Voice Coil Length	hvc	mm	41
Voice Coil Layers	n		4
Driver Displacement	V _d	cm ³	628
Magnet Outer Diameter		inches	6.125
Magnet Thickness		inches	1.5
Magnet Weight		ounces	84



Suggested SV10 Applications:

Sealed or aperiodic enclosures of <.7 to 2 cubic feet, Vented fourth-order alignments, Electronically assisted higher-order alignments, Infinite baffle systems, Free-air, electronically assisted dipolar systems, Band pass woofer systems.

Box Volume	Box Resonance	QL	Q/Ripple	Port 1*	F3	F10
.75 sealed	41	7	.8	----	39Hz	24Hz
1.0 sealed	37Hz	7	.72	----	37Hz	22Hz
1.5 sealed	32Hz	7	.62	----	38Hz	20Hz
2.0 sealed	29Hz	7	.56	----	40Hz	18Hz
2.0 vented	22Hz	7	+1.5 db	32"	24Hz	17Hz
3.0 vented	18Hz	7	-0 db	32"	19Hz	14Hz

*1 All ports calculated using 4" I.D. tubing (12.57 sq.in.). This is the approx. min. area required for low turbulence.

*2 All calculations assume a .5ohm series resistance (wiring, output impedance of driving amplifier). A greater series resistance will require a slightly larger box size to attain the same performance.

The SV10 features:

- 16 mm linear one way excursion!
- High strength, 16 ga steel stamped basket encapsulated in a corrosion resistant polyester coating.
- Double 42 ounce magnets
- Nomex spider with extra travel
- A glass reinforced plastic damper ring supports the spider and elevates it to allow for extreme excursion.... greater than most any cast frame will allow.
- 1.6" long high temp coil
- Heavy, pressed pulp cone
- Large Santoprene roll surround
- Bumped Back Plate
- Aerospace adhesives and thread locked screws used in construction